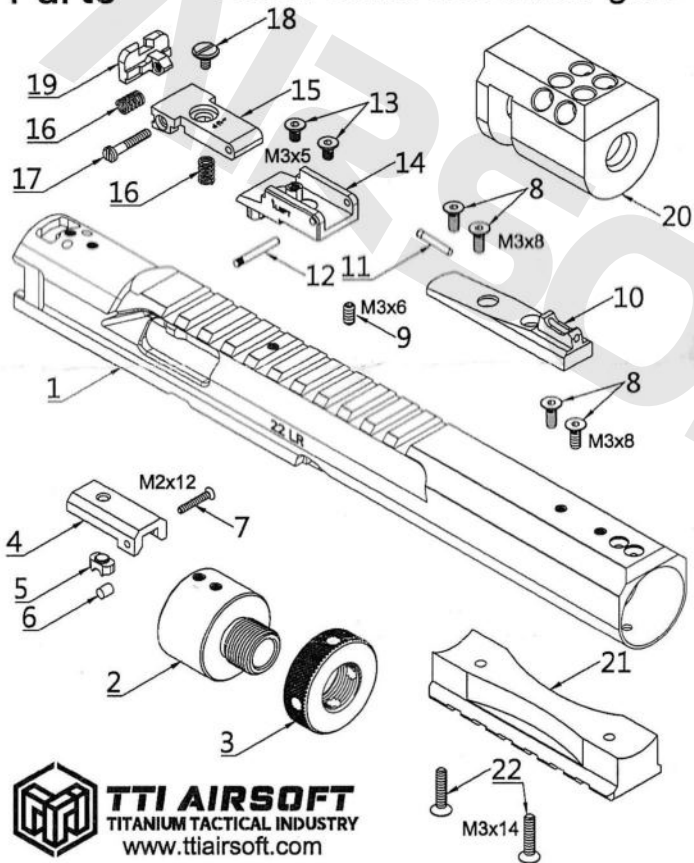


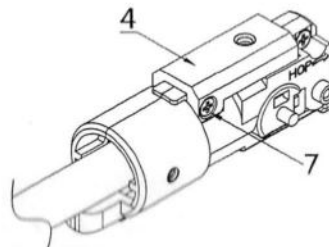
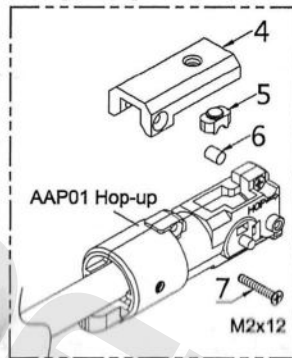
# AAP01 6 INCH SCORPION CNC UPPER RECEIVER

## Parts

Note: Please use screw glue



## Hop-up chamber installation



## TDC hop-up adjustment

